

PRODUCT INFORMATION PACKET

Model No: 213TTDWD16330

Catalog No: E720B

7.50 HP General Purpose Motor, 3 phase, 1800 RPM, 230/460 V, 213T Frame, ODP
Three Phase ODP Motors



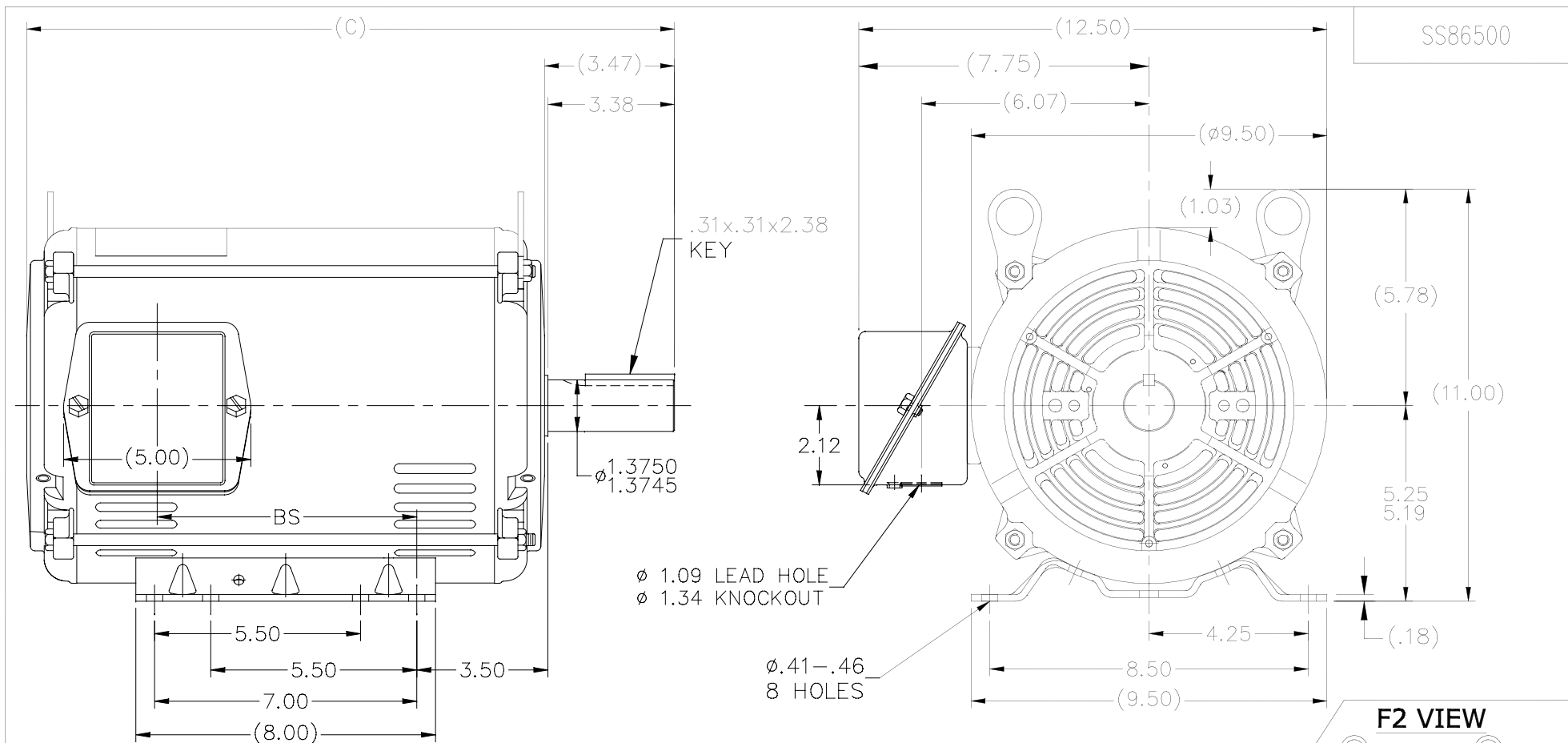
Nameplate Specifications

| | | | |
|------------------------|--------------------|----------------------------|-------------------|
| Output HP | 7.50 Hp | Output KW | 5.6 kW |
| Frequency | 60/50 Hz | Voltage | 230/460 V |
| Current | 20.0/10.0 A | Speed | 1765 rpm |
| Service Factor | 1.15 | Phase | 3 |
| Efficiency | 91 % | Power Factor | 77.1 |
| Duty | Continuous | Insulation Class | B |
| Design Code | B | KVA Code | H |
| Frame | 213T | Enclosure | Drip Proof |
| Thermal Protection | No | Ambient Temperature | 40 °C |
| Drive End Bearing Size | 6307 | Opp Drive End Bearing Size | 6206 |
| UL | Recognized | CSA | Y |
| CE | Y | IP Code | 12 |

Technical Specifications

| | | | |
|-----------------------|------------------------------------|-----------------------|------------------------|
| Electrical Type | Squirrel Cage Induction Run | Starting Method | Across The Line |
| Poles | 4 | Rotation | Reversible |
| Resistance Main | 1.56 Ohms | Mounting | Rigid Base |
| Motor Orientation | Horizontal | Drive End Bearing | Ball |
| Opp Drive End Bearing | Ball | Frame Material | Rolled Steel |
| Shaft Type | T | Overall Length | 17.30 in |
| Frame Length | 11.15 in | Shaft Diameter | 1.375 in |
| Shaft Extension | 3.47 in | Assembly/Box Mounting | F1/F2 CAPABLE |
| Outline Drawing | SS86500-1115 | Connection Drawing | 005010.01 |

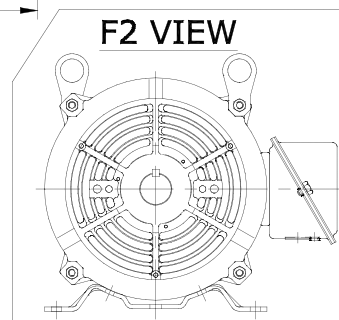
This is an uncontrolled document once printed or downloaded and is subject to change without notice. Date Created:11/11/2020




SS86500

| DASH | FR. | C | BS | MOUNTING |
|------|---------|-------|------|----------|
| 1115 | 213/15T | 17.30 | 6.93 | F1/F2 |
| 1240 | 213/15T | 18.55 | 8.18 | F1 ONLY |

- NOTES:
1. NAMEPLATE TO BE READ FROM C'BOX SIDE OF MOTOR.
 2. BOX CAN BE MOUNTED IN 90° STEPS.
 3. BOX CAN BE MOUNTED ON OPPOSITE SIDE BY REMOVING BRACKETS AND TURNING FRAME 180°. (EXCEPT AS NOTED.)



| | | | | | | | | | |
|--|---|----------------|---------|-----------------------------|--------|---|----------------------|-------------|---------|
| 14 | TITLE BLOCK LOGO CHANGE PER ECO-0078542 | MDV 06/09/2015 | MDV | TOLERANCES UNLESS SPECIFIED | |  Regal Beloit America, Inc. | DRAWN SMC 04-13-1993 | | |
| 13 | FOR FRAME 11.15 MOUNTING NOTE ADDED | UD 12/13/12 | SR | DEC. | INCHES | | CHK MOL 04-04-1993 | | |
| 12 | ADDED: F2 VIEW. | KVN 2/10/2009 | SVL | .X | ±.1 | | APPD DRN 04-13-1993 | | |
| 11 | UPDATED DRAWING | TJW 04/27/2007 | | .XX | ±.03 | TITLE OUTLINE | SCALE 1=4 | | |
| 10 | REM'VD. DASH 965 FROM SERIES CN38252 | RWR 07-20-2004 | ML | .XXX | ±.005 | 210 FR. - BB - TS - DR. PR. | REF | | |
| 9 | REDRAWN IN AUTOCAD | TAT 06-29-2004 | ML | .XXXX | ±.0005 | MAT'L. | FMF | | |
| NO. | REVISION | BY & DATE | CHK | ANG | ±7'30" | FINISH | PREV | | |
| THIS DRAWING IN DESIGN AND DETAIL IS OUR PROPERTY AND MUST NOT BE USED EXCEPT IN CONNECTION WITH OUR WORK ALL RIGHTS OF DESIGN AND INVENTION ARE RESERVED THIS IS AN ELECTRONICALLY GENERATED DOCUMENT - DO NOT SCALE THIS PRINT | | | RFP | CAD FILE ss86500 | | SIZE A | DRAWING NO. SS86500 | PAGE 1 OF 1 | REV. 14 |
| | | | DIST LB | | | | | | |

005010-01

VIEW FROM OUTSIDE OF MOTOR AT SWITCH END.



| VOLTAGE | L1 | L2 | L3 | JOIN & INSULATE |
|---------|-------|-------|-------|-------------------------------|
| HIGH | T1 | T2 | T3 | (T4,T7) (T5,T8) (T6,T9) |
| LOW | T1,T7 | T2,T8 | T3,T9 | T4,T5,T6 |

| | | | | | | | | | | |
|--|-----------------------|--------------|-----|--------------------------------|----------|--|--|--------------------|-------------|------|
| | | | | TOLERANCES UNLESS SPECIFIED | | REGAL ™ Regal Beloit America, Inc. | | DRAWN RDW 04/12/02 | | |
| | | | | DEC. | INCHES | | | CHK | | |
| | | | | .X | ±.1 | | | APPD | | |
| | | | | .XX | ±.01 | | | SCALE 1=1 | | |
| | | | | .XXX | ±.005 | TITLE | | REF FIG.2-51 | | |
| A | UPDATED TO REGAL LOGO | SAJ 06/26/15 | AJY | .XXXX | ±.0005 | MAT'L. | | FMF | | |
| NO. | REVISION | BY & DATE | CHK | ANG | ±1/2" | FINISH | | PREV | | |
| THIS DRAWING IN DESIGN AND DETAIL IS OUR PROPERTY AND MUST NOT BE USED EXCEPT IN CONNECTION WITH OUR WORK ALL RIGHTS OF DESIGN AND INVENTION ARE RESERVED THIS IS AN ELECTRONICALLY GENERATED DOCUMENT - DO NOT SCALE THIS PRINT | | | | RFP | 04/12/02 | CAD FILE | | SIZE | DRAWING NO. | REV. |
| | | | | DIST | BRF-NLV | 00501001 | | A | 005010-01 | A |



P.O. BOX 8003
WAUSAU, WI 54401-8003
PH. 715-675-3311

DATA VOLTS: 460

CERTIFICATION DATA SHEET

CUSTOMER: _____ CUSTOMER P.O. #: _____
 ORDER #: _____ REFERENCE MODEL #: 213TTDWD16330
 CONN. DIAGRAM: 00501001 CAT #: E720B
 OUTLINE: SS96500-1115 CUSTOMER PART #: _____
 WINDING: K2134278 NONE 2 MOUNTING: F1/F2 CAPABLE
 SPEED: _____

TYPICAL MOTOR PERFORMANCE DATA

| | | | | | | | | | |
|-------------|-----------------|-------------------------|---------------------------|-----------------|-------------|-----------|----------|--------|-----------------|
| HP | KW | SYNC RPM | FL RPM | FRAME | ENCLOSURE | TYPE | KVA CODE | DESIGN | |
| 7.5 | 5.6 | 1800 | 1765 | 213T | DP | TDW | H | B | |
| PH | HZ | VOLTS | AMPS | START TYPE | DUTY | INSL | S.F. | AMB | ELEV. |
| 3 | 60/50 | 230/460#190/380 | 20/10&16.4/8.2 | ACROSS-THE LINE | CONT | B | 1.15 | 40 | 3300 |
| | F.L. EFF | 91.0 | 3/4 LD EFF | 91.0 | 1/2 LD EFF | 89.9 | GTD EFF | | ELECT. TYPE |
| | F.L. PF | 77.1 | 3/4 LD PF | 71.3 | 1/2 LD PF | 58.1 | 89.5 | | SQ CAGE IND RUN |
| F.L. TORQUE | LR AMPS @ 460 V | L.R. TORQUE | B.D. TORQUE | F.L. RISE (°C) | | | | | |
| 22.3 LB-FT | 61.0 | 45.3 LB-FT | 203% | 66.1 LB-FT | 296% | 35 | | | |
| @ 3 FT. | POWER | ROTOR WK ² | MAX. LOAD WK ² | SAFE STALL TIME | START/SHOUR | MOTOR WGT | | | |
| 66 DBA | 75 DBA | 0.85 LB-FT ² | 50 LB-FT ² | 20 SEC. | 2 | 125 LB. | | | |

*** SUPPLEMENTAL INFORMATION ***

| | | | | | | | | |
|-----------------|----------------------|--------------|-------------------|--------------|--------------------|---------------------|----------------|---------------|
| DE BRACKET TYPE | ODE BRACKET TYPE | MOUNT TYPE | MOTOR ORIENTATION | SEVERE DUTY | HAZARDOUS LOCATION | DRIP COVER | SCREENS | PAINT |
| STANDARD | STANDARD | RIGID | HORIZONTAL | NO | NONE | NO | NONE | BLUE (ENAMEL) |
| BEARINGS | GREASE | SHAFT TYPE | SPECIAL DE | SPECIAL ODE | SHAFT | MATERIAL | FRAME MATERIAL | |
| DE BALL 6307 | BALL POLYREX EM 6206 | T | NONE | NONE | 1144 | STRESSPROOF (C-223) | ROLLED STEEL | |
| THERMOSTATS | PROTECTORS | WDG RTD's | BRG RTD's | THERMISTORS | CONTROL | SPACE HEATERS | | |
| NONE | NOT | NONE | NONE | NONE | FALSE | NA | | |
| R1 (ohms/ph) | R2 (ohms/ph) | X1 (ohms/ph) | X2 (ohms/ph) | Xm (ohms/ph) | VIBRATION (in/sec) | FLOAT | | |
| 0.76 | 0.559 | 2.608 | 3.697 | 57.456 | 0.150 | ODE | | |

| | |
|-----|---------------------------|
| * N | INVERTER TORQUE: NONE |
| O | INV. HP SPEED RANGE: NONE |
| T | |
| E | ENCODER: NONE |
| S | NONE |
| * | NONE |
| | BRAKE: NONE |
| | NONE |
| | FT-LB: NA |
| | NONE |
| | VOLTAGE: NONE |
| | NONE |
| | UL: V/INS, CONST UL REC |
| | HZ: |

PREPARED BY: FAREEDA DUDEKULA
 DATE: 9/10/2018
 FORM: 3531 REV 4 2/27/06

